

GP9111C GP9311C Series Low Frequency Online UPS

6-40KVA (1 Ph in/1Ph out & 3 Ph in/1Ph out)



► Product snapshot:

Model: 6-40KVA

Nominal voltage: 380/400/415VAC

Nominal frequency: 50/60Hz

Output Power factor: 0.8

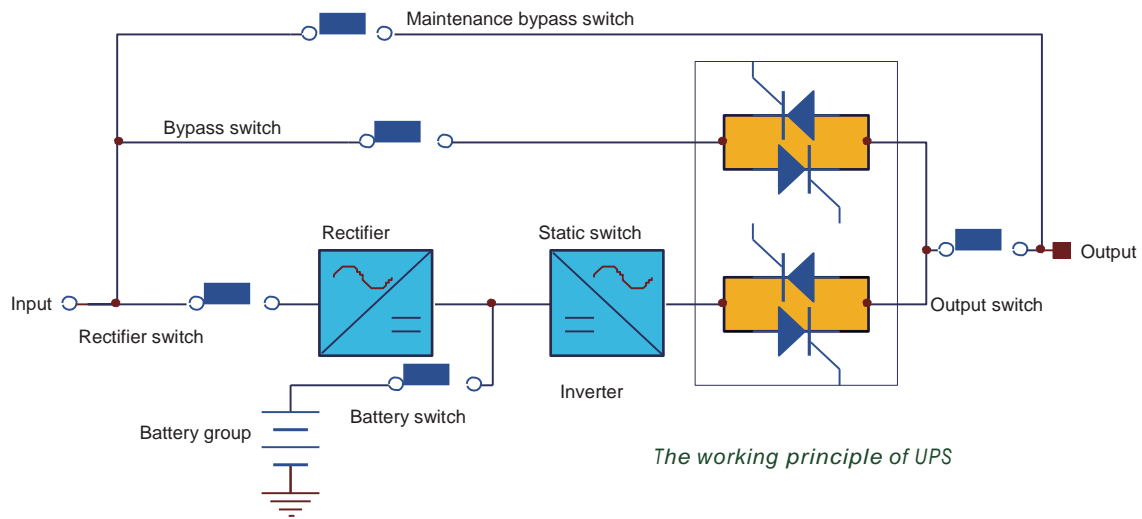


Key Features

- 1ph/1ph or 3ph/1ph, support 380/400/415V, 50/60Hz power system.
- Pure-online double conversion technology, to provide the best quality of power supply.
- Suitable for all kinds of loads, and a high overload capacity.
- Super wide range of input voltage anti-interference, adapt to harsh environment in power network.
- Intelligent battery management, extending the battery life.
- Large LCD display in Chinese and English, and Friendly human-machine interface.

Digitalized、Informationized、Networked

Digital UPS GP9111C/GP9311C 6-40KVA is the latest models in GP. It is the collection digitization, informationization, network as one of high intelligent products, with powerful information acquisition system, signal processing system, detection system and perfect protection system. Widely used in all kinds of electricity environment, Personalized design, powerful human-machine conversation function. Visual display and state monitoring interface, make each user operate simply and conveniently.



High reliability design

- Double-conversion online design, make the output for UPS frequency tracking, phase-locked regulator, filter noise, low distortion, without interference of pure sine wave power supply, so that UPS for user provide more comprehensive and perfect protection.
- Output conversion time, is zero to meet the sophisticated equipment for power high-standard requirements.

To load protection ability

- Machine the internal standard matches the output isolation transformer, anti-interference ability, environment and working conditions of information, user-friendly operation of the UPS. to provide more comprehensive and perfect protection for the user's equipment.
- tiny ground zero voltage difference, the power supply to meet the needs of the precision instruments to protect the safe operation of equipment.
- Good load compatibility, and can be applicable to various types of loads, to meet various needs of applications.

Environment adaptable

- Wide voltage input range up to 304V-456V, avoid frequently switching to battery power supply, adapt to the power environment in poor areas.
- Wide input frequency range of UPS, generators can be guaranteed access to a variety of fuel oil stability.

Optimization of high-performance battery

- Using intelligent battery management technology to extend the life of the battery and reduce the number of maintenance.
- Advanced constant voltage charging technology, maximum activation of the battery, charging time saving, to extend the battery life.

Network Management humanity

- English LCD display panel, to the user to accurately display the working environment and UPS status information, user-friendly operation of the UPS.
- Through RS232 interface and intelligent monitor software to communicate with the computer, and the various parameters of UPS clear displayed on the communications interface.
- External SNMP adapter, UPS with remote network management capabilities, providing real-time UPS date and power information through a variety of network operating system for communication and management.



LCD panel buttons description

GP9111C GP9311C series Technical Specifications

Model	GP9111C 6-15KVA				GP9311C 10-40KVA					
	6KVA	8KVA	10KVA	15KVA	10KVA	15KVA	20KVA	30KVA	40KVA	
Capacity	6KVA/4.8KW	8KVA/6.4KW	10KVA/8KW	15KVA/12KW	10KVA/8KW	15KVA/12KW	20KVA/16KW	30KVA/24KW	40KVA/32KW	
Rated voltage	220V single phase				380V three phase 4 wires + G					
Rated Frequency	50/60Hz									
AC Input										
Voltage Range	220V±25% single phase				380V±25% three phase 4 wires + G					
Frequency Range	50/60Hz±5%									
Soft Start	0-100% 5sec									
Power Factor	>0.92 (with input filter)									
Bypass Input										
Voltage range	220V±25% single phase				380V±25% three phase 4 wires + G					
Frequency Range	50/60Hz±10%									
Inverter Bypass	(overload) 0ms									
Output										
Voltage Accuracy	220V±1%(steady-state load),220V±3%(load fluctuations)									
Frequency Accuracy	50/60Hz±0.05Hz(battery power)									
Power Factor	0.8(lagging)									
Distortion	<3%(linear load), <5%(nonlinear load)									
Steady-state response time	<10ms									
Overload Capacity	110%load can run normally; 125%10min; 150%1min;									
Battery										
Nominal Voltage	192V									
Float Voltage	216V									
Shut-off Voltage	168V									
Charger Current	4Amp				8Amp					
Other										
Display	LED\LCD									
Alarm	Sound and light alarm									
Protection	UPS over current, short circuit, under voltage, over temperature									
Environment										
Noise	60-65dB									
Operating	Temperature: 0-40°C Relative humidity :0-90%									
Box Color	Gray (optional)									
Physics Characteristic										
Weight (KG)	N.W	122	125	140	175	182.5	235.5	285.8	354.8	354.8
	G.W	142	147	163	199	225.5	268.5	325.2	389.5	389.5
Dimensions : (Wx D x H)mm	210X600X560		305X586X850			350X675X920			430X792X1060	

STANDARD: Conform to GB/IEC regulation: EMC:GB7260.2/IEC62040-2 GB/17626.2~5/IEC61000-4-2~5 SAFETY: GB4943

Note: Product specifications are subject to change without further notice.

Fawar Street, Sed El-Bouchrieh, North-matn, Lebanon
Phone: +9611899003, +961190249

info@greenpower-lb.com

www.greenpower-lb.com

